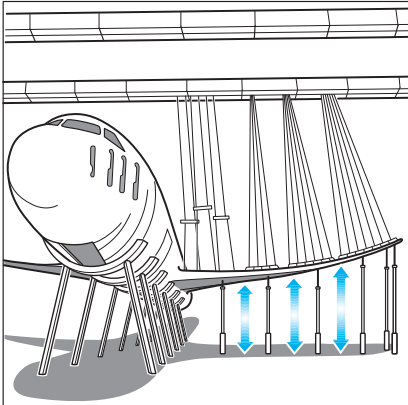


WS Position Sensors Application Examples

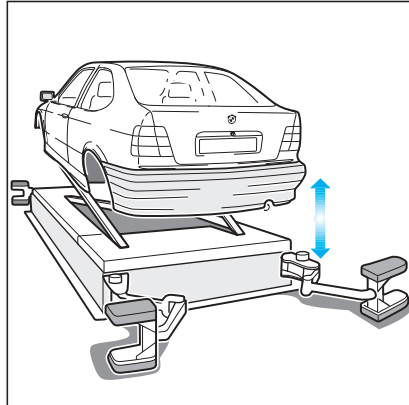


Automation
Sensors
Measurement

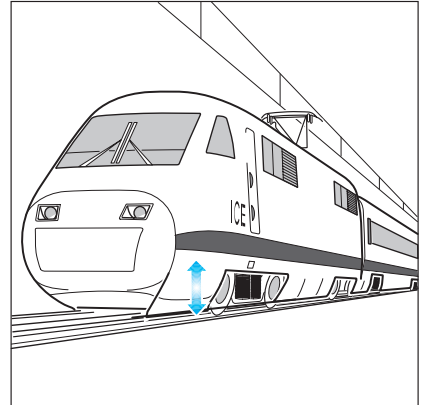
1



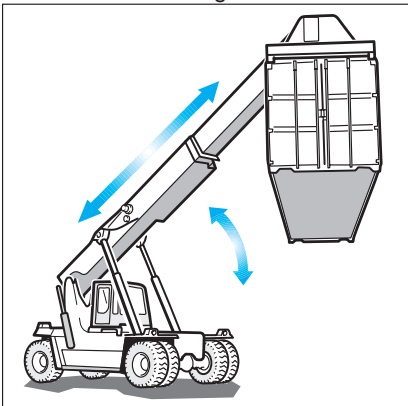
Airframe load testing



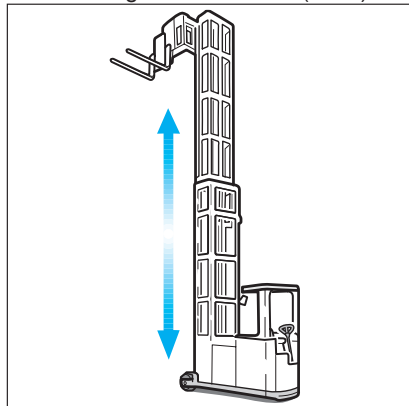
Automatic guided vehicles (AGV)



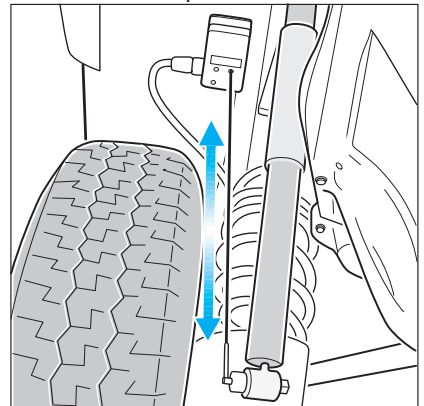
Rail vehicle suspension



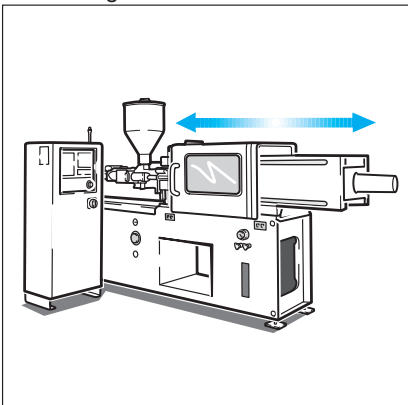
Boom height & extension



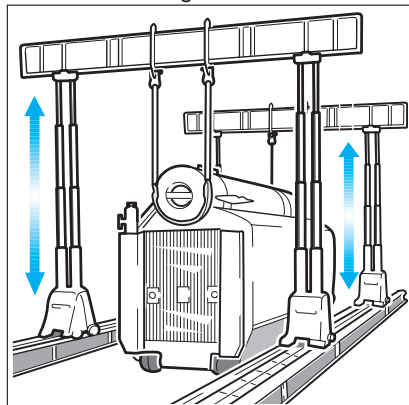
Reach truck height



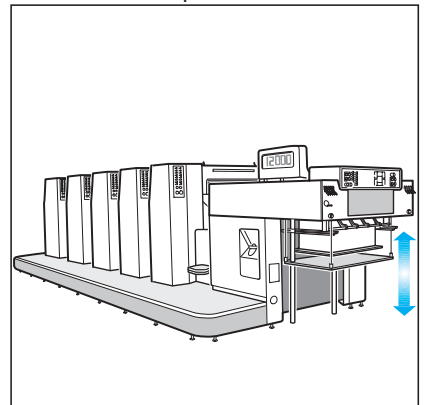
Automotive suspension test



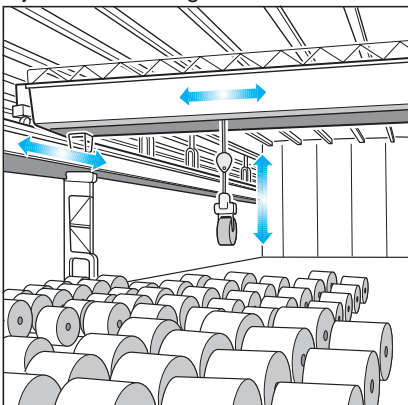
Injection moulding machines



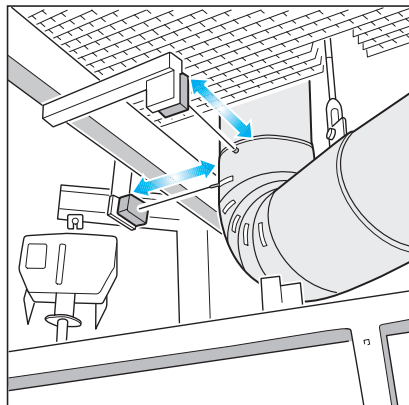
Powerlifter



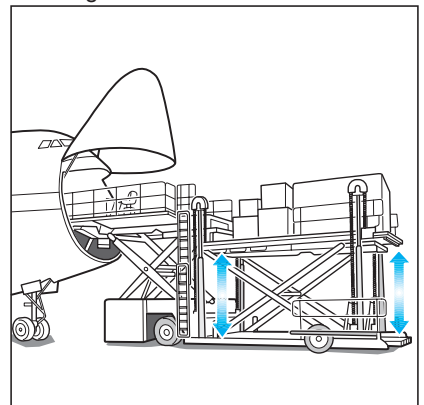
Printing machines



Overhead crane positioning



Pipeline movement



Loading platform height