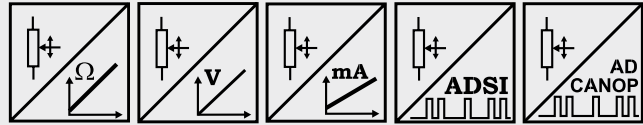


# POSITAPE® WB17KT with Analog, SSI or CANopen Output



## Position sensor with measuring tape for teach-in operations

- Protection class IP64
- Measurement ranges 0 ... 137.8 in. to 0 ... 393.7 in.  
(0 ... 3500 mm to 0 ... 10000 mm)
- Steel measuring tape
- Analog output or  
A/D converted synchronous serial output (SSI) or  
A/D converted CANopen output



Specifications	Outputs	Potentiometer 1 kΩ Voltage 0 ... 10 V Current 4 ... 20 mA (3 wire) A/D converted synchronous serial interface (SSI) A/D converted CANopen bus
Resolution		Analog: essentially infinite; ADSI16: max. 16 bit f.s.; ADCANOP16 bit f.s.
Sensing device		Hybrid precision potentiometer
Material		Aluminium, stainless steel und plastic Measuring tape: steel, .39 in. wide, .004 in. thick
Protection class		IP64
Connection		8 pin connector M12 (ADCANOP: 5 pin) / cable output, length 9.84 ft. (3 m)
Operation temperature		-20 ... +85 °C
EMC		Refer to output specification

## Order code WB17KT



### Model name

### Measurement range (in mm)

3500 / 6500 / 10000

### Outputs

- R1K = Potentiometer 1 kΩ
- 10V = 0 ... 10 V signal conditioner
- 420A = 4 ... 20 mA signal conditioner (2 wire)
- 420T = 4 ... 20 mA signal conditioner (3 wire)
- PMUV/PMUI = Programmable 0... 10 V or 4 ... 20 mA signal conditioner
- ADSI16 = A/D converted synchronous serial interface (SSI)
- ADCANOP = A/D converted CANopen bus

### Connection

- M12 = 8 pin connector M12 (ADCANOP: 5 pin)
- KAB3M = Cable output, standard length 9.84 ft. (3 m)

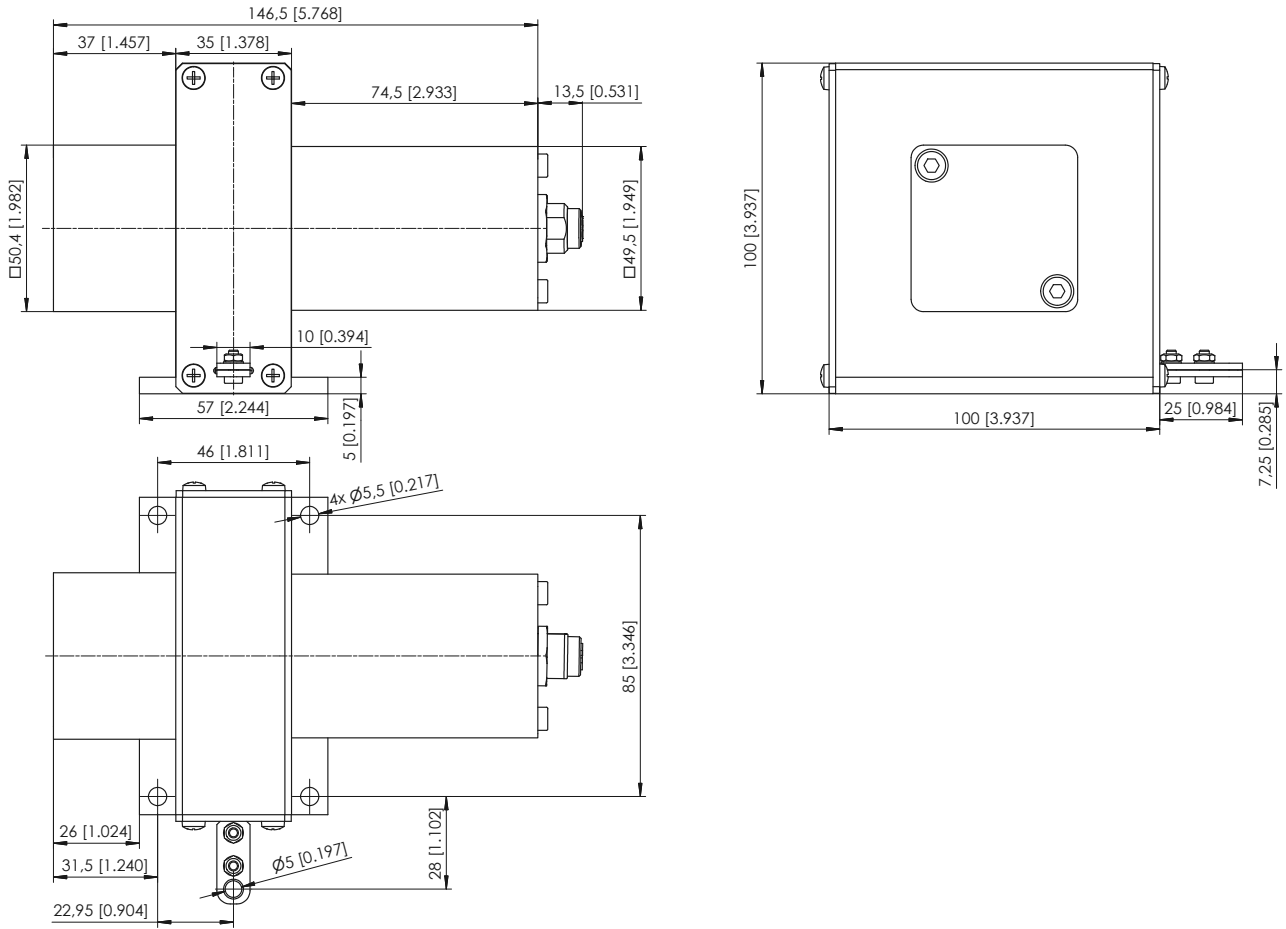
Order code connector cable **KAB-...M-M12/8F/G-LITZE** ADCANOP: **KAB-...M-M12/5F/G-M12/5M/G**

Order example: **WB17KT - 6500 - 10V - M12**

**POSITAPE®**  
**WB17KT**  
 with Analog, SSI or CANopen Output



**Outline drawing**  
**WB17KT-3500**



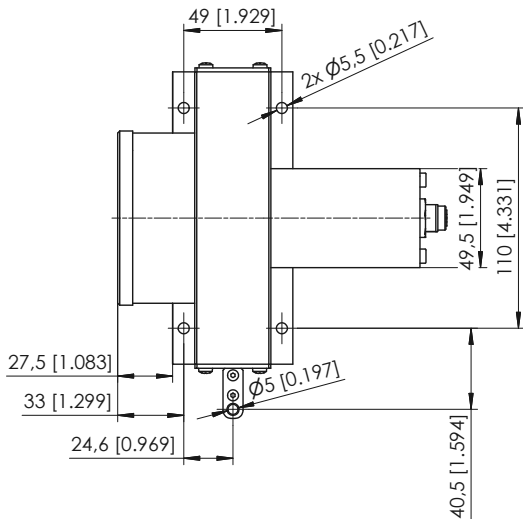
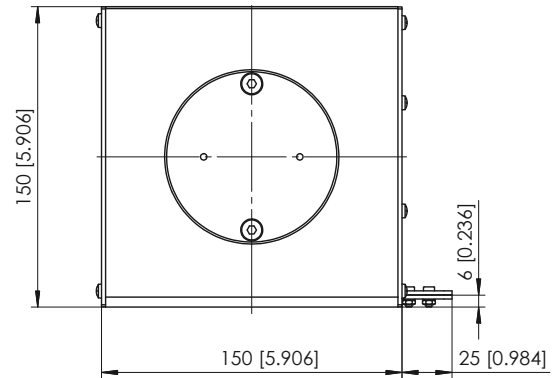
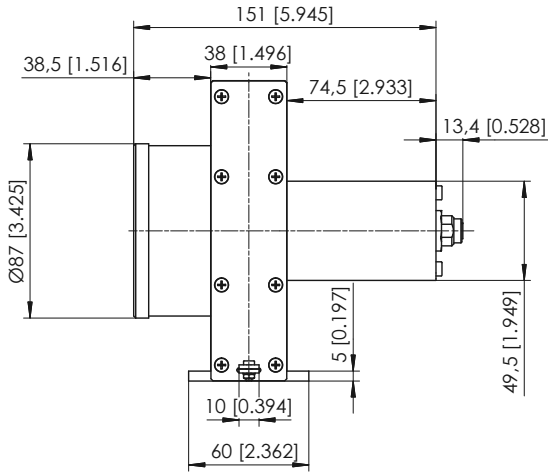
Dimensions in mm [inch]

Dimensions informative only.  
 For guaranteed dimensions consult factory.

**POSITAPE®**  
**WB17KT**  
 with Analog, SSI or CANopen Output



**Outline drawing**  
**WB17KT-6500**



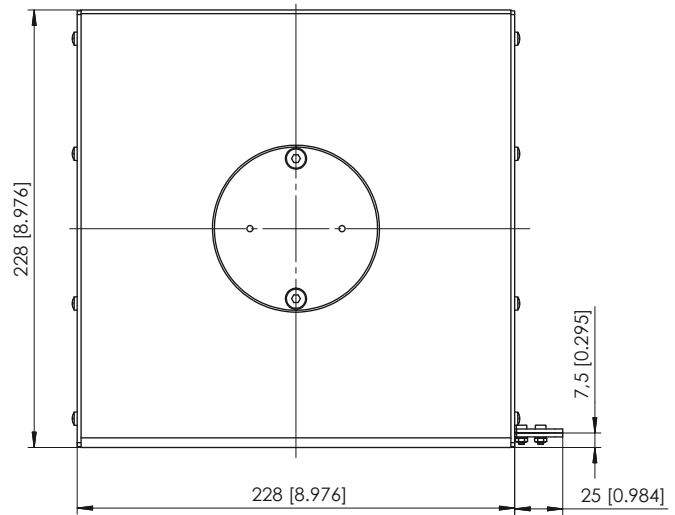
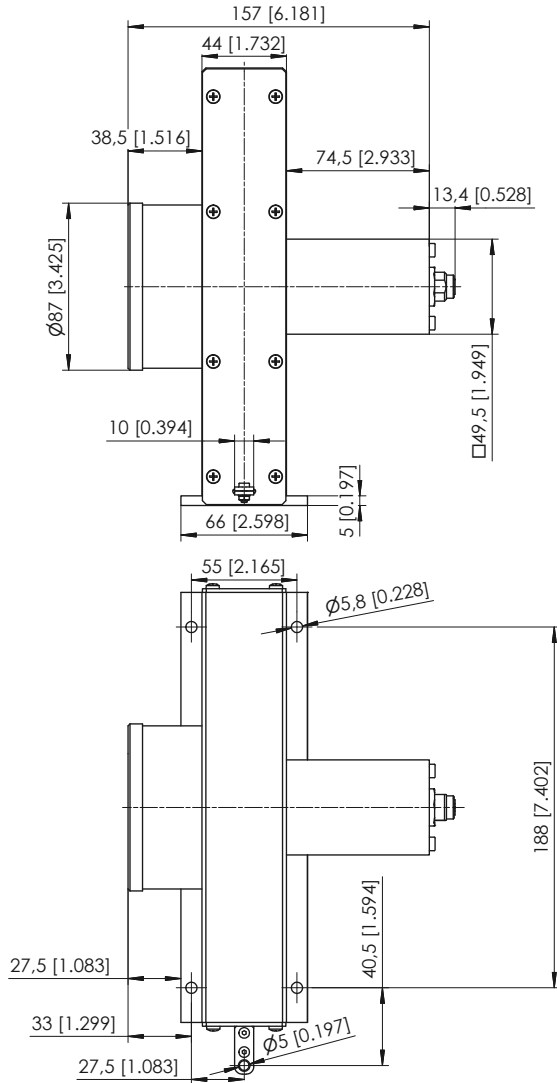
Dimensions in mm [inch]

Dimensions informative only.  
 For guaranteed dimensions consult factory.

**POSITAPE®**  
**WB17KT**  
 with Analog, SSI or CANopen Output



**Outline drawing**  
**WB17KT-10000**



Dimensions in mm [inch]

Dimensions informative only.  
 For guaranteed dimensions consult factory.