

Distance Sensor M9-v2

Laser sensor with measuring rate of 10 kHz

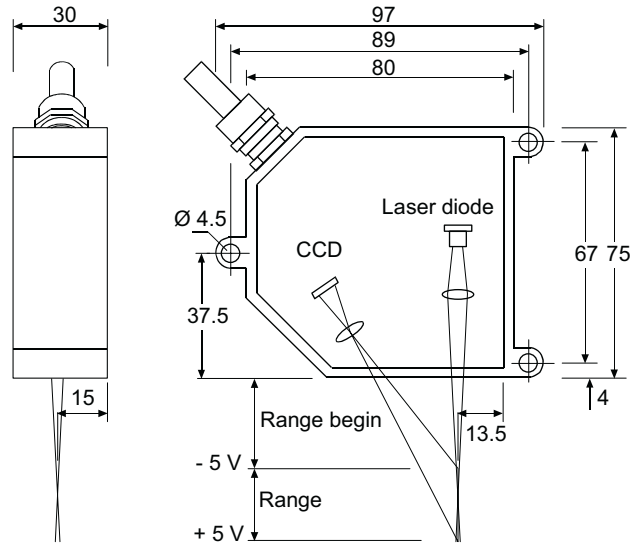
Triangulation digital



- Measuring
- Controlling
- Monitoring

Sensor head

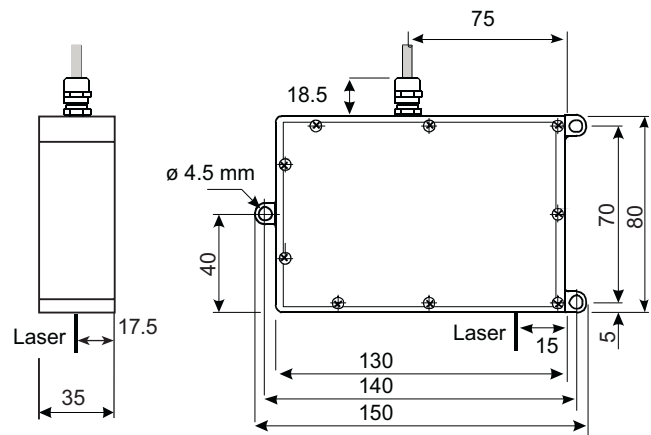
weight 500 g, cable length 2 m



drawing not to scale!

Sensor head

weight 500 g, cable length 2 m



drawing not to scale!

- very high accuracy
- Measurement on many different surfaces possible

Laser Sensor M9-v2

for highest precision

Sensor	M9-v2/ 2	M9-v2/ 10	M9-v2/ 20	M9-v2/ 40	M9-v2/ 50	M9-v2/ 100	M9-v2/ 200
Range [mm]	2	10	20	40	50	100	200
Range begin [mm]	24	30	40	175	45	70	130
Linearity ± [µm]	1	3	6	12	15	30	60
Resolution* [µm]	0.03	0.15	0.3	0.6	0.8	1.5	3
Light spot diameter** [µm]	35	50	60	210	80	130	1300

Light source	Laser, wavelength 670 nm, red visible, <1 mW
Laser protection class	2 (DIN EN 60825-1:2001-11)
Distance output	analog: ±5 V digital: RS 422 / 691.2 kBaud
Bandwith	10 kHz
Temperature drift	0.01% of range / K
Controller	functions: Auto Zero / signal averaging
Permissible ambient light	30,000 Lux
Vibration	2 g / 20 ... 500 Hz
Shock	15 g / 6ms / 3 axis
Operating temperature	0° ... +50°C
Storage temperature	-20° ... +70°C
Electromagnetic compatibility (EMC)	EN 50081-1 and EN 61000-6-2
Protection class	Sensor IP 65, Controller IP 50
Supply	24 V VDC (±15 %), max. 500 mA

* Measurement at 10 kHz, no averaging

** Values apply for Midrange

All specifications apply for a diffusely reflecting matt white ceramic target

Delivery:

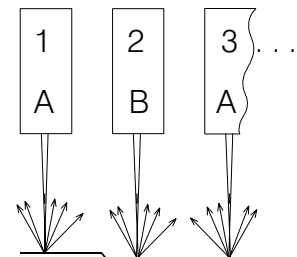
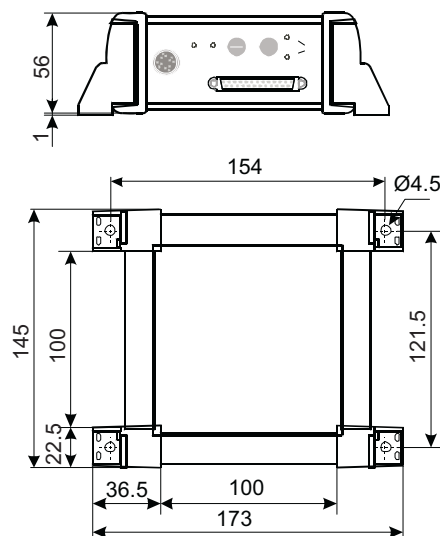
- Sensor with sensor cable 2 m
- Controller
- 1 rubber feet kit for controller
- 25-pin Sub-D connector with screened cable clamps
- Manual

Accessories:

- Sensor cable extension 3 or 8m
- Supply cable 3 or 8m
- Power supply unit
- Interface card RS 485
- Protection housing

Controller

weight 1000 g



Synchronisation
by connecting the controllers
(standard)