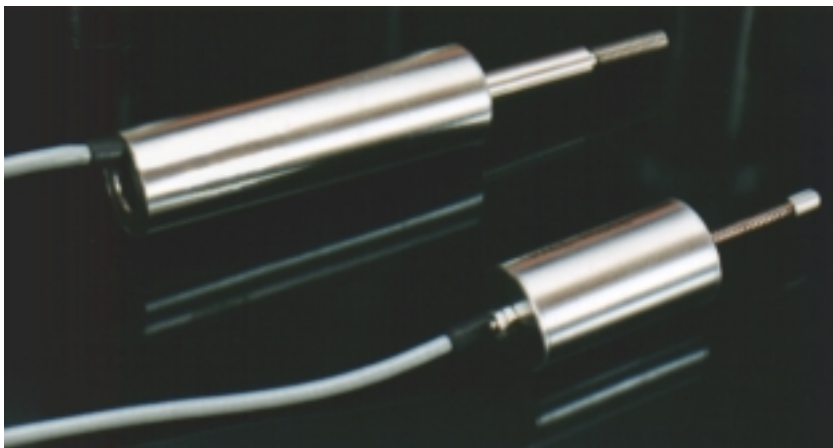


LVDT

Linear Variable Differential Transformer



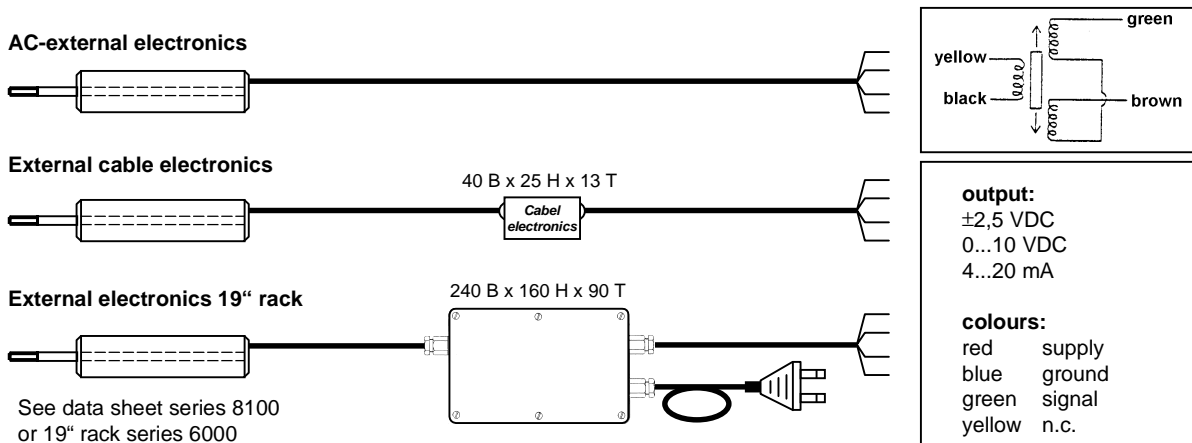
M-Series

- ***Range $\pm 0,25$ mm ... ± 75 mm***
- ***Infinite Resolution***
- ***Output: AC***
- ***Linearity $< \pm 0,5\%$, better linearity on request***
- ***Repeatability up to $2,5$ μ m***
- ***Compact housing***
- ***Low weight***
- ***Stainless Steel Housing***
- ***Cylinder diameter: $9,53$ mm***
- ***Extension rod diameter: $2,5$ mm***
- ***Temperature $-30...+150^{\circ}\text{C}$ (optional)***

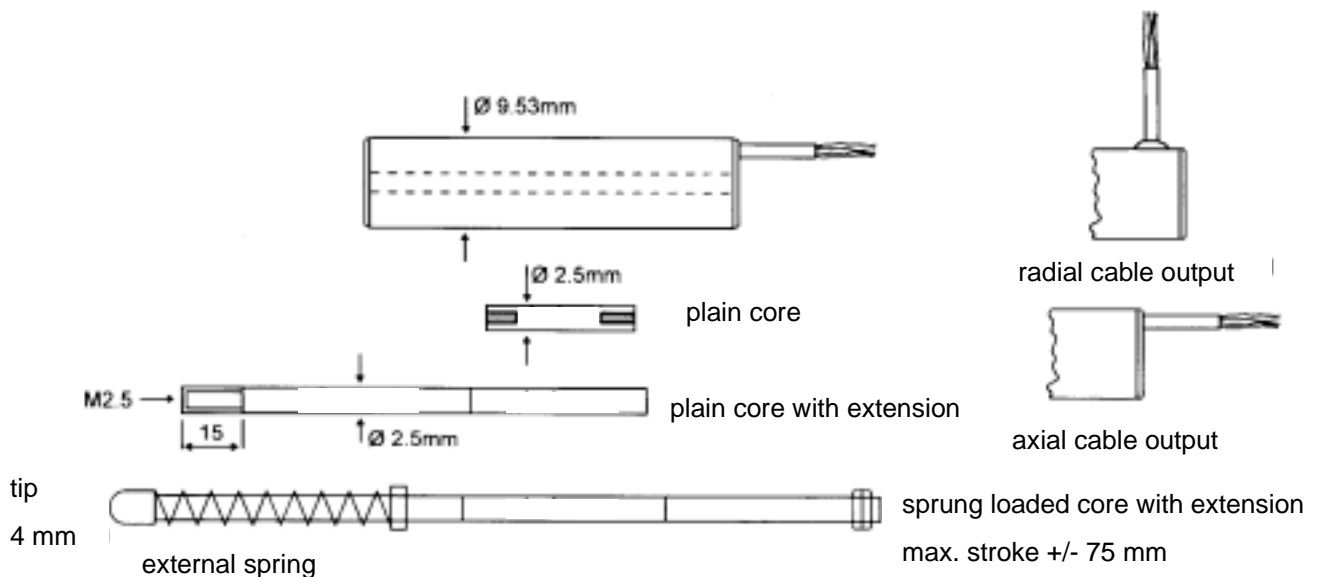
Technical Data

Resolution	nearly infinite, depending on following circuit (ripple) and measurement range.
range	$\pm 0,25 / \pm 0,50 / \pm 1,00 / \pm 2,50 / \pm 5,00 / \pm 12,50 / \pm 25,00 / \pm 50,00 / \pm 75,00$ Note: every LVDT works unidirectional, using zershift.
Linearity	$\leq \pm 0,5\%$ range, others on request.
Outpt AC (external electronics)	The M-Series is not available with internal electronics. Excitation $5 V_{rms}$ at 3 kHz Temperature: $-30...+85^{\circ}C$ (Standard) optional $-30...+150^{\circ}C$ Frequency Response: 3 dB at 180 Hz
External Electronics	Please see technical details in the data sheets 8100 and 6000 (19" rack, modular system) Output: 0...5 VDC, 0...10 VDC, 4...20 mA
Type	Plain core, plain core with extension unguided, Sprung loaded core with extension
Housing	Stainless steel
Connection	2000 mm cable output (others on request)

Connection Diagram and output options

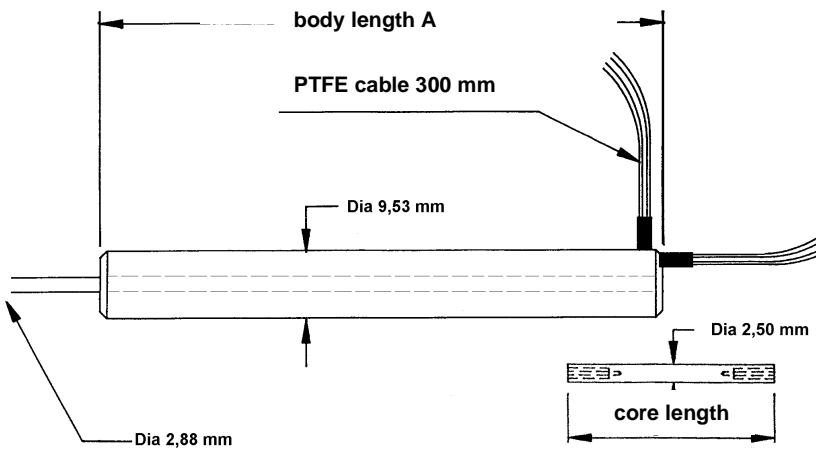


Type



Dimensions

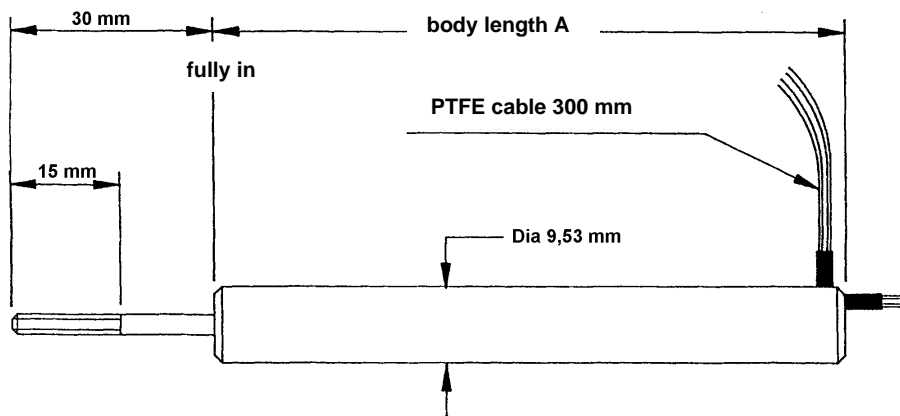
M - Series: plain core



+/- 75	300	120
+/- 50	220	94
+/- 25	150	76
+/- 12,5	82	30
+/- 5	55	20
+/- 2,5	38	20
+/- 1	30	20
+/- 0,5	25	12,5
+/- 0,25	8	5
range mm	body length A mm	core length mm

Dimensions

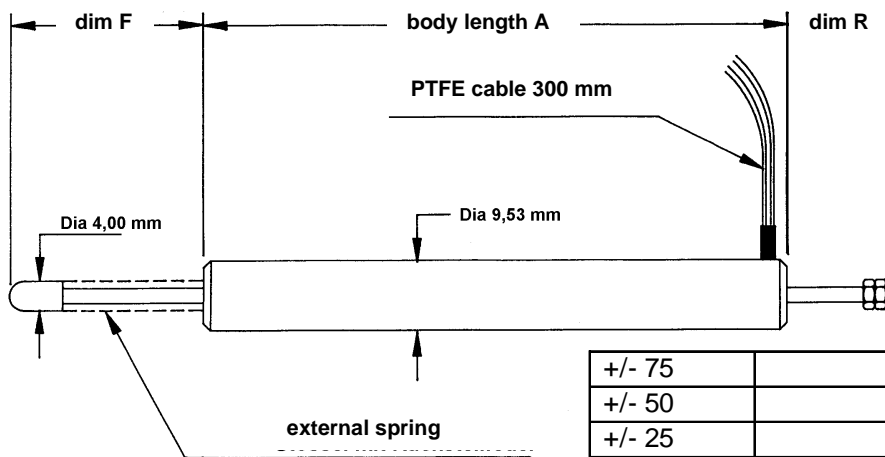
M - Series: plain core with extension



+/- 75	300
+/- 50	220
+/- 25	150
+/- 12,5	82
+/- 5	55
+/- 2,5	38
+/- 1	30
+/- 0,5	25
+/- 0,25	8
range mm	body length A mm

Dimensions

M - Series: sprung loaded core with extension



+/- 75	300	162	90
+/- 50	220	120	57
+/- 25	150	70	30
+/- 12,5	82	53	20
+/- 5	55	29	11,5
+/- 2,5	38	23	11
+/- 1	30	20	10
+/- 0,5	25	20	10
+/- 0,25	8	20	10
range mm	body length A mm	dim F mm	dim R mm



Order Code Series M

temperature-
range: -30...+85°C

axial cable exit	MJ- MJX- MJR-	(plain core) (core with extension) (sprung loaded core with extension)
radial cable exit	MJC- MJXC- MJRC-	(plain core) (core with extension) (sprung loaded core with extension)

temperature-
range: -30...+150°C

axial cable exit	MJT- MJTX- MJTR-	(plain core) (core with extension) (sprung loaded core with extension)
radial cable exit	MJTC- MJTXC- MJTRC-	(plain core) (core with extension) (sprung loaded core with extension)