

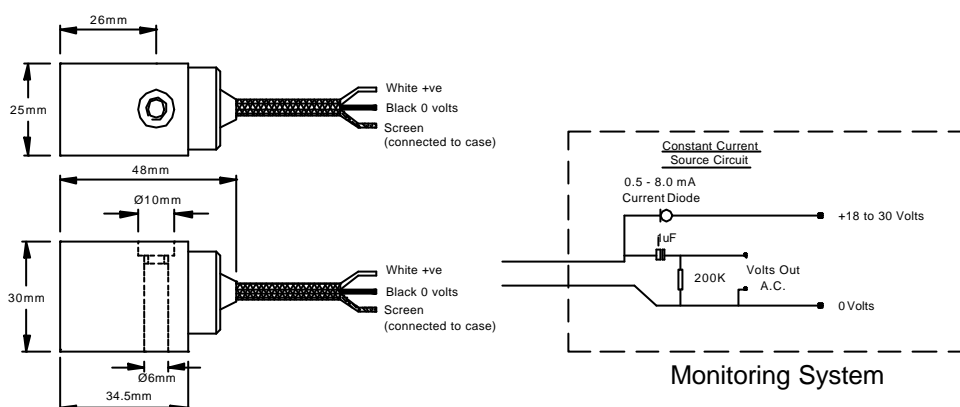


MTN/1100SC Series

Low profile side entry industrial accelerometer for restricted access installations

Applications

- Paper machinery
- General industry
- Pumps, fans, etc.
- Air handling units
- Machine tools



Technical Specification

Standard Sensitivity	100 mV/g $\pm 10\%$ Nominal at 80 Hz
Frequency Response	2 Hz to 10 kHz $\pm 5\%$ (-3 dB at 0.8Hz)
Mounted Base	18 kHz (nominal)
Isolation	Base isolated
Dynamic Range	± 80 g
Transverse Sensitivity	Less than 5%
Electrical Noise	0.1 mg max
Current Range	0.5 mA to 8 mA
Temperature Range	-55 to 140 °C
Bias Voltage	12 volts DC (nominal)
Case Material	Stainless steel
Standard Cable	5 metres integral stainless steel overbraided cable
Maximum Cable Length	1000 metres
Mounting Torque	8 Nm
Mounting Bolt Provided	M6 x 33mm long (Part no MTN/1100SCM6) or $\frac{1}{4}$ " – 28 UNF x 33mm long (Part no MTN/1100SC)
Weight	170 gms (nominal)
Sealing	IP67
Options	Other sensitivities