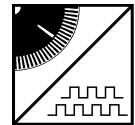


# WS17KT Position Sensor with Incremental Encoder



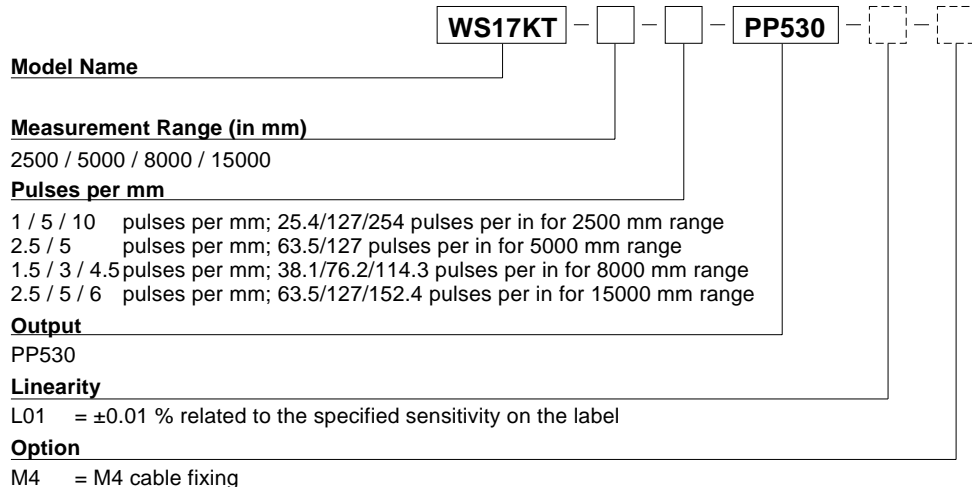
## Compact Sensor for Medium Ranges

- Protection Class IP64
- Measurement range:  
0 ... 2500 mm to 0 ... 15000 mm  
0 ... 98.43 in to 0 ... 590.55 in
- Incremental Encoder Output



<b>Specifications</b>	Outputs	Incremental Encoder Output with differential Push-pull Circuit for reliable Data Transmission. The output is compatible with LD, TTL, HTL and CMOS.
	Resolution	1 up to 10 pulses per mm, 25.4 up to 254 pulses per in (see order code)
	Material	Aluminium and Stainless Steel. Cable: Stainless Steel
	Sensing Device	Incremental encoder
	Connector	Male Socket 8 pin DIN 45326
	Linearity	±0.05 % Full Scale
	Protection Class (IEC 529)	IP64
	Weight	See table next page.
	Environmental	
		Immunity to Interference (EMC)
	Temperature	Refer to Output Specification

### Order Code WS17KT Incremental



Order Code Mating Connector (see accessories page 103)

**WS-CONN-D8**

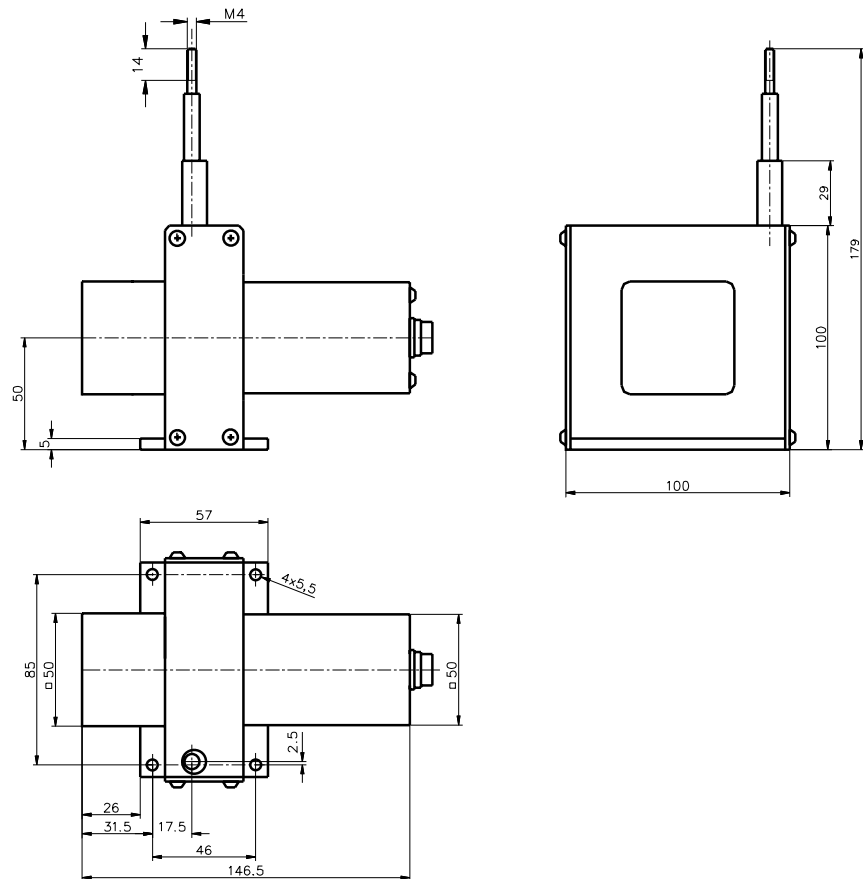
**Order Example: WS17KT - 5000 - 5 - PP530 - M4**

# WS17KT Position Sensor with Incremental Encoder



Cable Forces and Weights typical at 20 °C	Range		Weight [kg]	Maximum Pull-out Force [N]	Minimum Pull-in Force [N]
	[mm]	[in]			
	2500	98.43	1.5	7.6	3.2
	5000	196.85	5.3	12.7	9.5
	8000	314.96	5.5	10.0	7.0
15000	590.55	6.0	17.5	8.0	

## Outline drawing WS17KT-2500



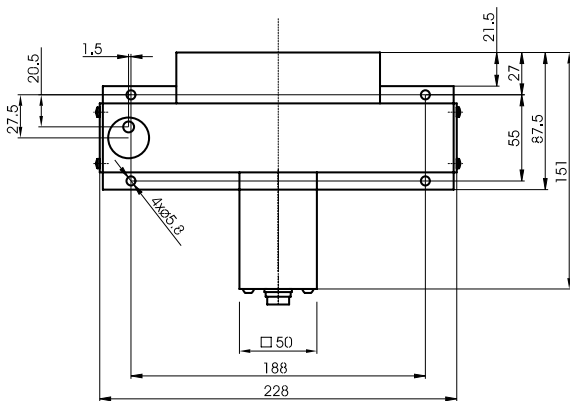
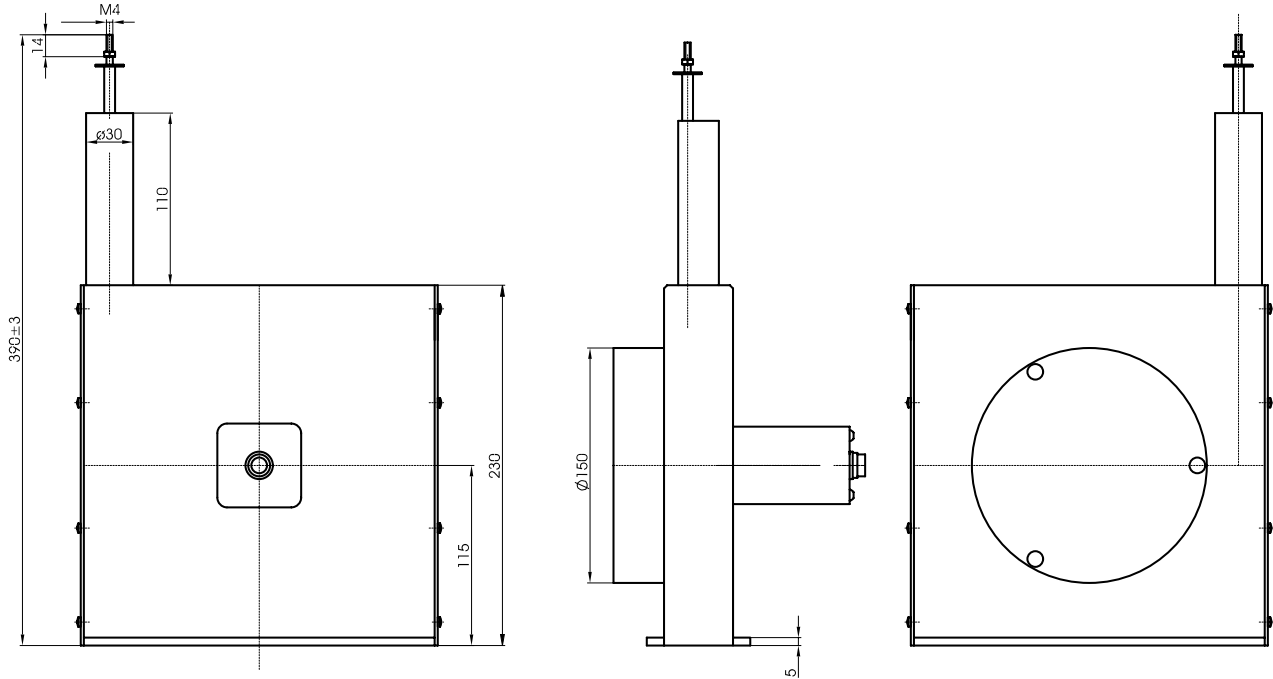
For guaranteed dimensions consult factory



# WS17KT Position Sensor with Incremental Encoder



## Outline drawing WS17KT-15000



For guaranteed dimensions consult factory