

WS-SSI

Digital Process Meter for Digital Absolute Sensors



Automation
Sensors
Measurement

1



- For ASM Position Sensors and Encoders with synchronous serial Interface: SSI (TSSI) / ADSI
- Integrated Sensor Excitation
- 6-digit LED Display
- Programmable Data Format
- Optional RS-232 Interface
- Optional Limit Comparators
- Optional Desktop Version



Description

The WS-SSI is a microprocessor controlled process meter for use with ASM Position Sensors (i.e. WS11- 2000-SSI or WS10-1000-ADSI-L10) to measure distances. The position data is transmitted in either a Gray-code or Binary-code serial format. The serial data format can be changed to be compatible with all ASM SSI/ADSI Sensors. If power failure occurs data is not lost. The display can also be switched from absolute to relative measurement mode.

Four membrane keys on the front panel allow the user to program the built-in microprocessor to suit all measurement applications.

A sensor linearity better than 0.01% is possible by programming the pulse multiplication factor. Sensor excitation is supplied from the meter.

The RS-232 interface is optional. Data can be transmitted easily to a PC, printer or PLC. The WS-SSI is programmable via the RS-232 interface. Two limit comparators are available as an option, however, they can not be combined with the RS-232 option.

Specifications		
Display	6-digit 7-Segment LED, 14 mm high, Decimal point programmable	
Sensor Excitation Voltage	Approx. 20 V DC	
Sensor Inputs	Clock, Clock, Data, Data	
Control Inputs	Calibration Switch	
Limit Value Outputs (Option)	NPN, 30 V DC max., 300 mA max.	
Connection	Terminal Strip 13-pole	
Operation Temperature	0 to 50 °C	
Storage Temperature	-20 to 85 °C	
Supply Voltage	230 V AC, -10% ... +6% 115 V DC, -15% ... +10% 24 V DC, ±20%	
Weight	Approx. 250 g	

Order Code WS-SSI

Model Name

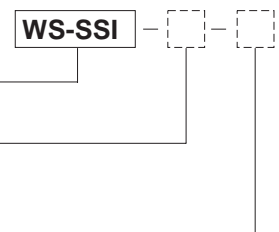
Standard 230 V AC

Supply Voltage (Option)

110 V AC / 24 V DC

Interface / Limit Comparators

RS-232 / COMP



Connector Cable to Sensor see Accessories page 70

Order Example: WS-SSI

WS-SSI

Digital Process Meter

for Digital Absolute Sensors

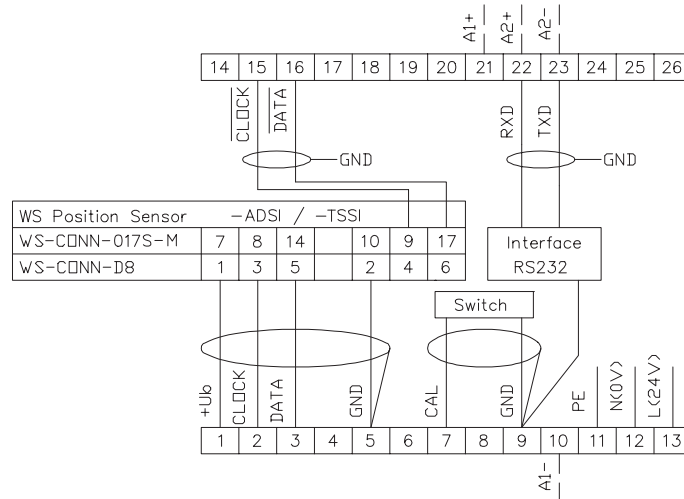


Automation
Sensors
Measurement

1

Specifications (Continuation)	Protection Class (DIN 40050)	Front IP 60, Back IP 40
	Humidity	95% R.H. max. non condensing

Signal Wiring



Programmable Parameters	Display Range	0 to 59999
	Display Divisor	1, 10, 100, 1000
	Counting Direction	Up/Down
	Position of Decimal Point	Position 0 to 5
	Chain Measurement Function	On / Off
	Data Format	Left justified
	Sensor Bits	0 ... 29
	Single-Turn-Bits	0 ... 19
	Cable Disconnection Recognition	On / Off
	Offset Value	-199999 to +999999
	Calibration Value	-199999 to +999999

Serial Interface (optional)	Level	RS-232: ±8 V, galv. isolated from Signal by Opto-couplers
	Data Format	1 Start Bit, 8 Data Bits, 1 Stop Bit, no Parity
	Transmission Rate	300 ... 19200 Baud

Drawing

